

450

Ready-To-Go Tower

Bluezone Model 450 Installed in Tower

Available in Black (10-BZ-9009-RTGB) or White (10-BZ-9009-RTGW)

**PLUG
& PLAY**

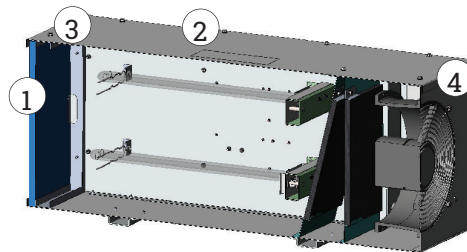


Features and Benefits

- Utilizes a combination of self-contained ultraviolet light and room temperature oxidation to destroy viruses and Volatile Organic Compounds (VOCs)
- Technology recommended by Center for Disease Control and Prevention, FDA and scores of scientists as effective against airborne coronavirus transmission
- Safe for use in occupied spaces 24 hours/day
- Destroys up to 99.9995% of airborne infectious aerosols in indoor spaces, so diners can come back inside
- Treats up to 9,000 cubic feet of air per unit
- LED logo panel confirms operation
- Plug & play - model 450 installed into tower
- Bulb life up to 8,800 hours
- Low maintenance, no filters to change
- IoT compatible with OpenKitchen (ConnectWare required)
- One-year limited warranty



Black (10-BZ-9009-RTGB)



1. Contaminated air inlet
2. Airborne infectious aerosols and VOCs are eliminated
3. Oxidation catalyst
4. Clean air outlet



Reduction of MS2
Bluezone by Middleby 450

Bioaerosol Type	Species	Trial ID		15 min.	30 min.	45 min.	60 min.
Virus	MS2 bacteriophage (RNA E. coli phage)	T1	Net Log Reduction	-1.52	-3.25	-4.25	-5.52
			Net % Reduction	96.9552%	99.9439%	99.9944%	99.9997%
		T2	Net Log Reduction	-1.48	-3.59	-5.05	-5.20
			Net % Reduction	96.7060%	99.9740%	99.9991%	99.9994%
		T3	Net Log Reduction	-1.75	-3.34	-4.50	-5.24
			Net % Reduction	98.2128%	99.9540%	99.9968%	99.9994%
Average Net Log Reduction				-1.58	-3.39	-4.6	-5.32
Average Net % Reduction				97.291%	99.957%	99.9968%	99.9995%

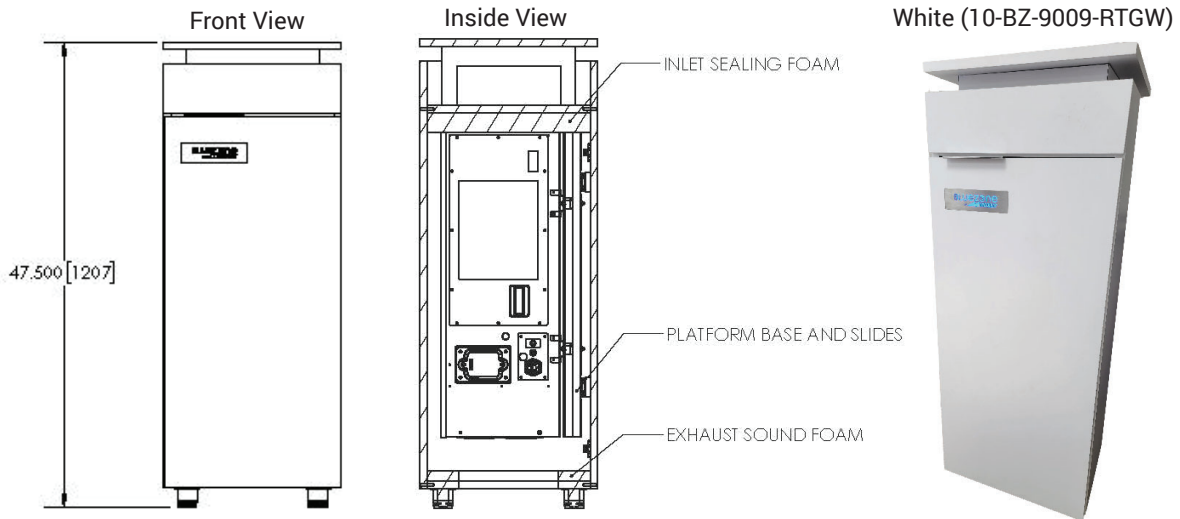
This study was conducted in compliance with FDA Good Laboratory Practices (GLP) as defined in 21 CFR, Part 58 using aerosolized MS-2 bacteriophage, a surrogate for SARS-COV-2, in a room-sized test chamber.

450

Ready-To-Go Tower

Bluezone Model 450 Installed in Tower

Available in Black (10-BZ-9009-RTGB) or White (10-BZ-9009-RTGW)



READY-TO-GOM TOWER SPECIFICATIONS

Dimensions	47.5" X 18" X 20" (1207 mm X 457 mm x 508 mm)
Weight	129 lb. (59 kg.) with Model 450 Installed
Shipping Dimensions/Weight LTL Freight Class 250	49" x 21" x 23" (1244 mm x 533 mm x 584 mm) 134 lb. (61 kg.)

BLUEZONE UNIT ONLY SPECIFICATIONS

Dimensions	31" X 14" X 13.375" (787 mm X 356 mm x 340 mm)
Weight	26 lb. (12 kg.)
Input Voltage and Current	120 VAC, 1-phase, 3 amps or 240 VAC, 1-phase, 1.5 amps
Electrical Connection	IEC 320-C13
Operating Environment	34°F-104°F (1°C- 40°C)
Flow Rate	150 CFM
Power	Max 350 watts
Certifications	cETLus Listed, ETL Sanitation, NSF/ANSI 2 Sanitation (Pending), California Air Resource Board (CARB) for no ozone emission