



Installation, Operation and Service Manual

Bluezone® Model 300 **Air Cleaning System**

IMPORTANT SAFEGUARDS
READ AND SAVE THESE INSTRUCTIONS

Safety

This operation and service manual contains important instructions and safety information about the Bluezone® Air Cleaning System. Observe the following dangers, warnings, cautions and notices when installing, operating and servicing the Bluezone Model 300.



Electrical System

Energized electrical circuits present a potentially life-threatening hazard.

Ensure the unit's power cord is unplugged before performing any installation or service work.

Ensure there are no other electrical power circuits connected to the Bluezone Model 300.

Do Not Operate unit with a damaged cord or plug. Discard unit or return to an authorized service facility for repair.

Follow all lockout/tagout procedures for all electrical circuits.



System Operation



Do not operate the Bluezone Model 300 while fogging with chlorine bleach or other disinfectant solutions. Disinfectants can poison the Bluezone catalyst and reduce its effectiveness.

- Turn off the Bluezone Units if disinfectant fogging or cleaning is underway.

Turn Bluezone units back on after disinfectants have dissipated. [If your facility fogs regularly, please wait 24 hours after fogging to restart the units.](#)

Never hose down the Bluezone Model 300 or clean with a water jet. Direct flow of water onto the catalyst can reduce its effectiveness in eliminating ozone.

Turn off Bluezone units and cover with plastic if the room is being hosed with water or steam.



System Maintenance

The Bluezone Model 300 contains 2 UV light bulbs; the UV light is completely contained inside the unit during operation.

Unplug or disconnect the unit from power source prior to any servicing.

The Bluezone Model 300 has multiple safety systems to ensure that you cannot view the UV bulbs while they are operating.

Do NOT attempt to override the cover switch to allow the bulbs to operate when the cover

is off. Skin or eye damage may result from directly viewing the light produced by the lamp in this apparatus.

Always disconnect power before relamping or servicing.

Authorized Bulb Replacement Kits are manufactured by Bluezone Products, Inc. and sold by Middleby Corp, or an Authorized Bluezone by Middleby Partner. Additional information on bulb replacement is located in the Service section of this manual.

Never look at an illuminated UV bulb without proper eye protection against UV light frequencies.

One UV lamp generates ozone. The ozone is contained inside the Bluezone Model 300.

When conducting maintenance, power down the unit and wait 15 minutes before removing the cover. There will be residual ozone inside the Bluezone Model 300. Do not breathe air directly from inside the unit.

Description

The Bluezone Model 300 is an air purification device that eliminates airborne contaminants including microbes (virus, fungi, mold and bacteria), odors and ethylene.

The Model 300 can be hung or mounted to the ceiling or wall, or located on a shelf.

The Bluezone Model 300 draws in air containing viruses, mold, spores or fungus, and discharges air with a highly reduced concentration of these impurities.

The unit is completely self-contained. The facility, equipment, and personnel have no contact with the process that is cleaning the air.

The Bluezone unit's operation is controlled by a microprocessor-based controller that ensures safe operation at all times and alerts the user to any system faults.

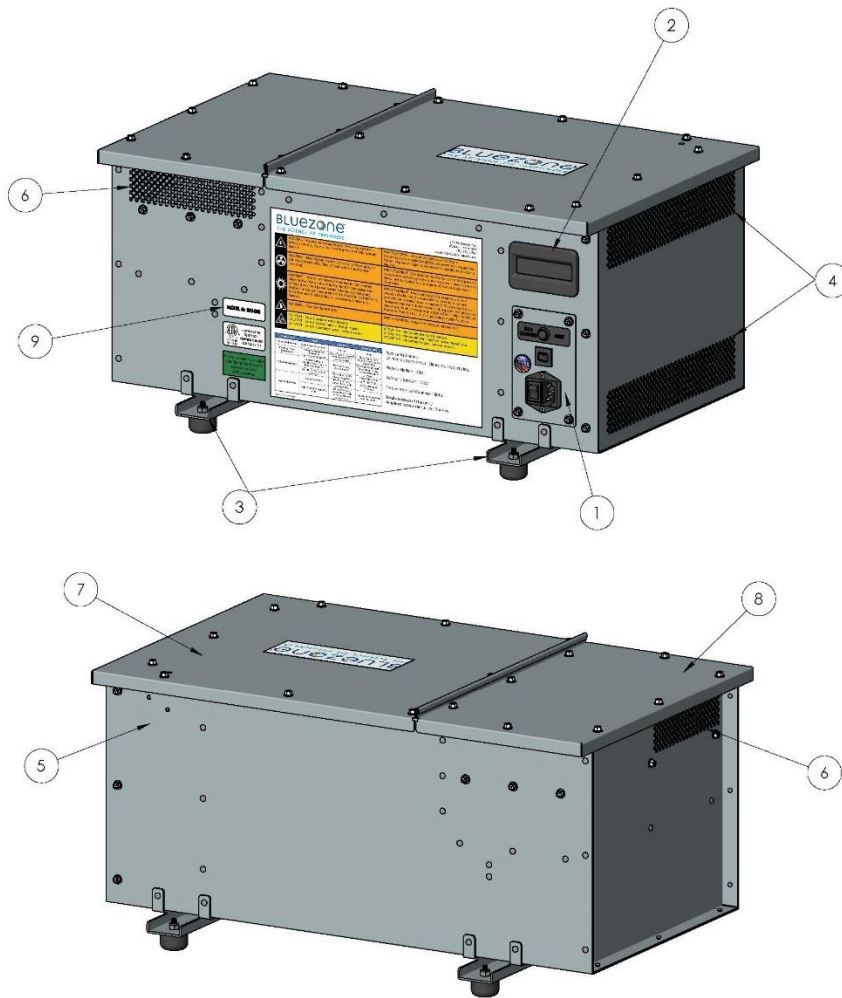
Specifications

The specifications of the Bluezone Model 300 are shown in Table 1.

Table 1: Bluezone Model 300 Specifications

Specification Category	Model 300
Size	23 $\frac{1}{4}$ " X 15" X 11 $\frac{3}{4}$ " 59cm X 38 cm X 30 cm
Product Weight	16 lb/7kg
Shipping Size	36" X 20" X 20" 91cm X 51cm X 51cm
Shipping Weight	19 lb/9 kg
Operating Environment	34°F – 104°F 1C – 40C up to 85% RH
Storage Environment	-4°F – 150°F -20C – 65C up to 85% RH
Input Voltage	120 VAC 1 Phase
Current	1 amp (at 120VAC)
Power	110 Watts max
Electrical Connection	IEC 320-C13 120 VAC power cord
Mounting Options:	Hung from ceiling, placed on shelf/rack, or mounted to wall
Certifications	cETLus Listed ARB certified – Ozone Emissions NSF per request

Key Components



ITEM #	DESCRIPTION
1.	CONTROL PANEL
2.	DISPLAY SCREEN
3.	MOUNTING RAILS/FEET
4.	AIR INLETS
5.	COVER SWITCH LOCATION
6.	CLEAN AIR OUTLETS
7.	BULB COVER (bulb replacement)
8.	FAN COVER (factory maintenance only)
9.	MODEL #

Figure 1: Bluezone Key Components

Electrical System

Use the model number to identify the wiring in your unit.

Model #	Wiring diagram
300-043	Figure 2
300-051	Figure 3

Wiring diagrams of the Model 300-043 and the 300-051 are shown as Figure 2 and Figure 3 respectively.

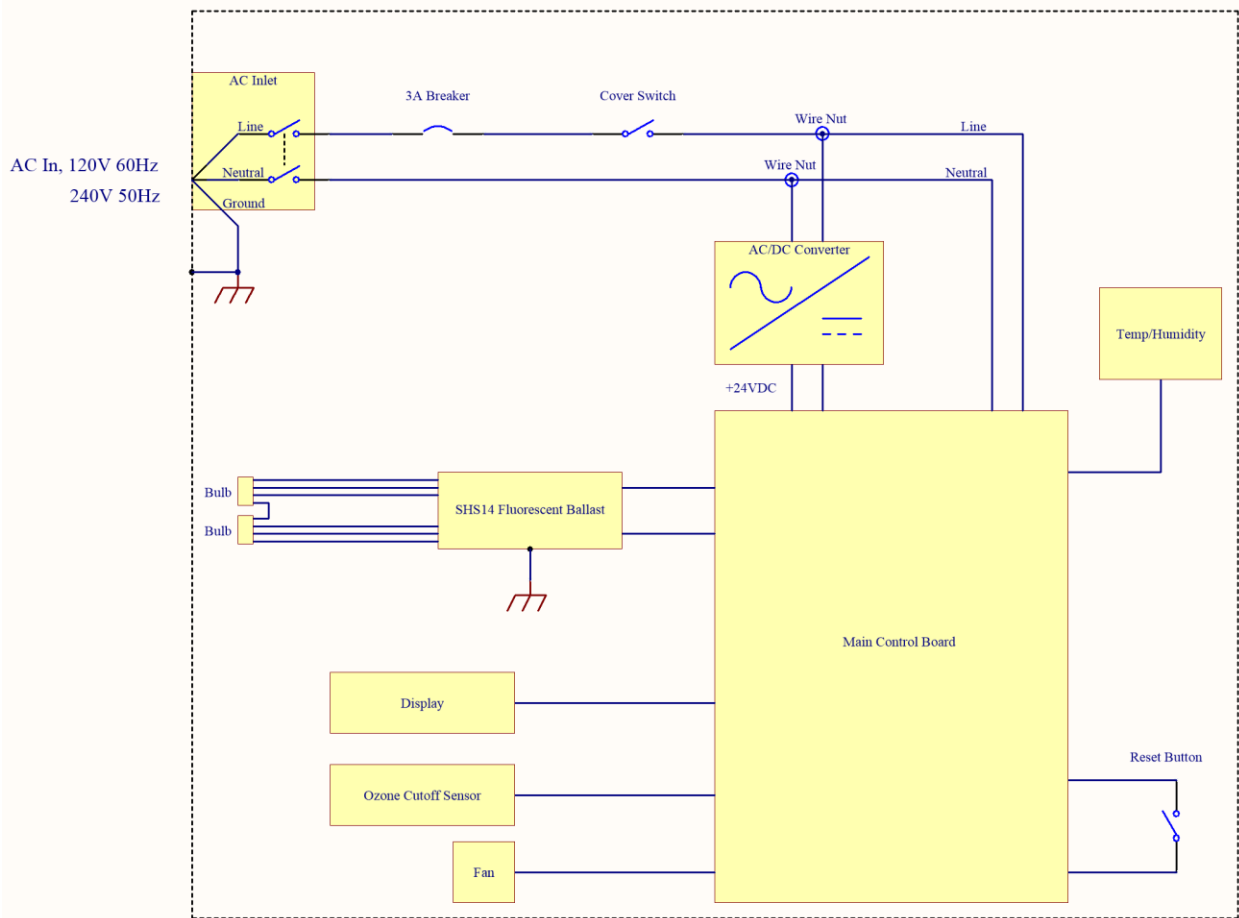


Figure 2: Wiring Diagram of Model 300-043

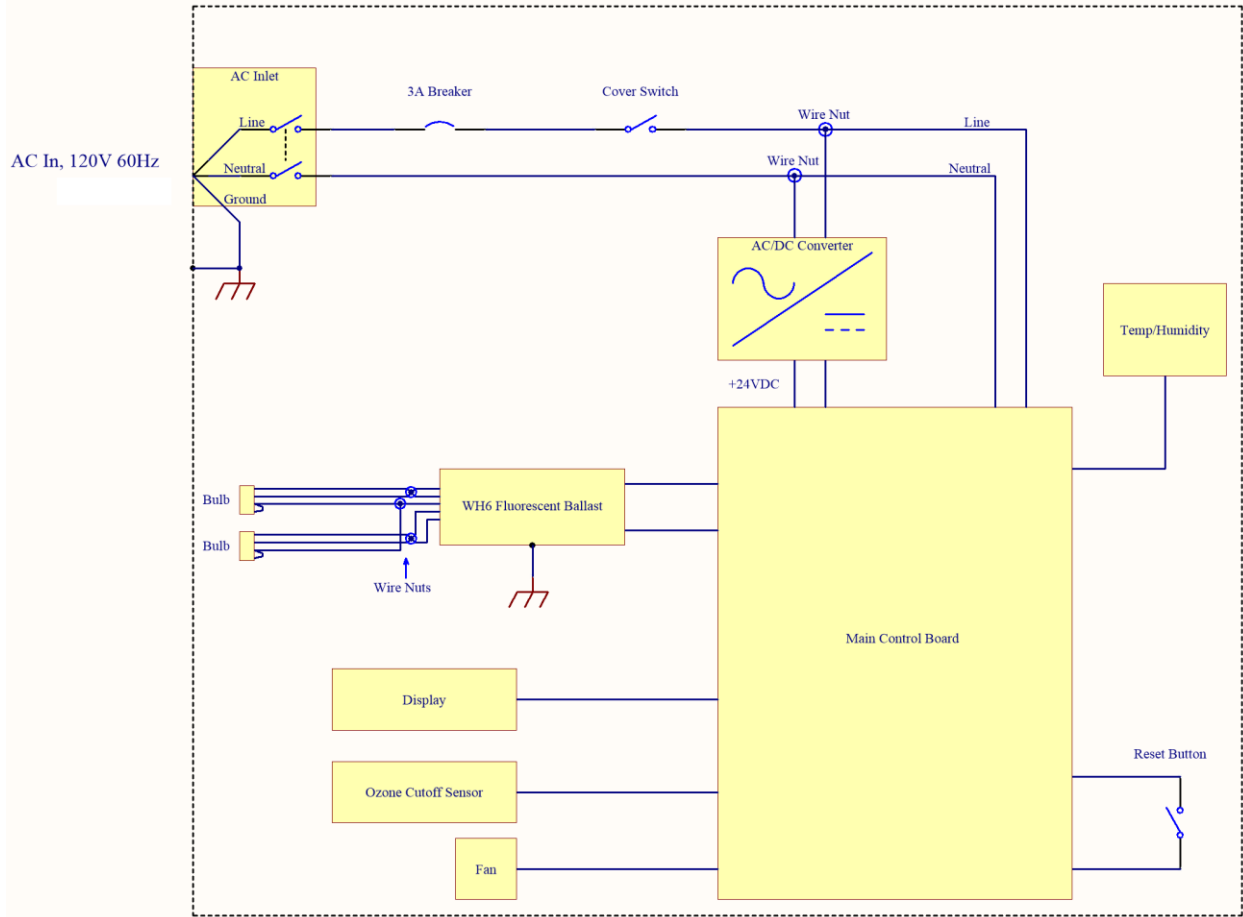


Figure 3: Wiring Diagram of Model 300-051

Installation

An overview of Mechanical and Electrical Installation instructions is contained in this section. Details of steps to hang the Model 300 mount on a shelf are contained in Appendix A.

Installation Guidelines

For walk-in coolers:

The Bluezone Model 300 should be located on a shelf, or mounted to the wall or ceiling of the walk-in cooler in a way that the air inlet and outlet of the Model 300 are not obstructed.

Place the Model 300 in the walk-in cooler so that air flow from the evaporator does not blow directly into the Model 300 air inlet or clean air outlet. Ensure a minimum clearance distance of 10' (3m) from the chiller or air handler outlet to the Model 300 to avoid disturbance to the Model 300 internal air flow.

For non-cooled environments:

The Bluezone Model 300 should be located on a shelf, or mounted to the wall or ceiling of the space in a way that the air inlet and outlet of the Model 300 are not obstructed. Mount sufficiently above head height to avoid the risk that people will bump the unit as they walk by.




Place the Model 300 in the room so that air flow from the HVAC system, fans or other air flow systems does not blow directly into the Model 300 air inlet or clean air outlet.

Ensure a minimum clearance distance of 2' (0.6m) from an HVAC ceiling diffuser, register or inlet grille to the Model 300.

Ensure a minimum clearance distance of 10' (3m) from the air outlet of an air conditioning or mini-split outlet to avoid forcing excessive air flow through the Bluezone unit.

Place the unit so that the control panel and display are visible and accessible.

If multiple Bluezone Model 300 units are being installed in a room or walk-in cooler, the following are recommended guidelines for the placement of the Bluezone units:

1. Distribute the units relatively evenly throughout the space.
2. Generally spreading the locations across the available space is good practice.
3.  Warning: Hang the units from the ceiling, mount to the wall or on a shelf/rack to avoid unintended bumping of the units.
4.  Warning: If the unit is located in an area with foot traffic and there is a concern that it could be bumped by personnel, it should be labeled with colored tape to make it more visible and reduce the risk of collision.
5.  Warning: Locate the junction boxes for the units as close as possible to the units to avoid the risk of hooking the cord and pulling it out. If the distance to the junction box is more than 2' (0.6 m), the cord should be tied to the wall, rack, or ceiling to keep it protected.

Mechanical Installation

A drawing showing mounting dimensions of the Model 300 is provided in Figure 4.

The Bluezone unit can be installed into a ceiling mount kit or placed on a shelf, as shown in Figure 5.

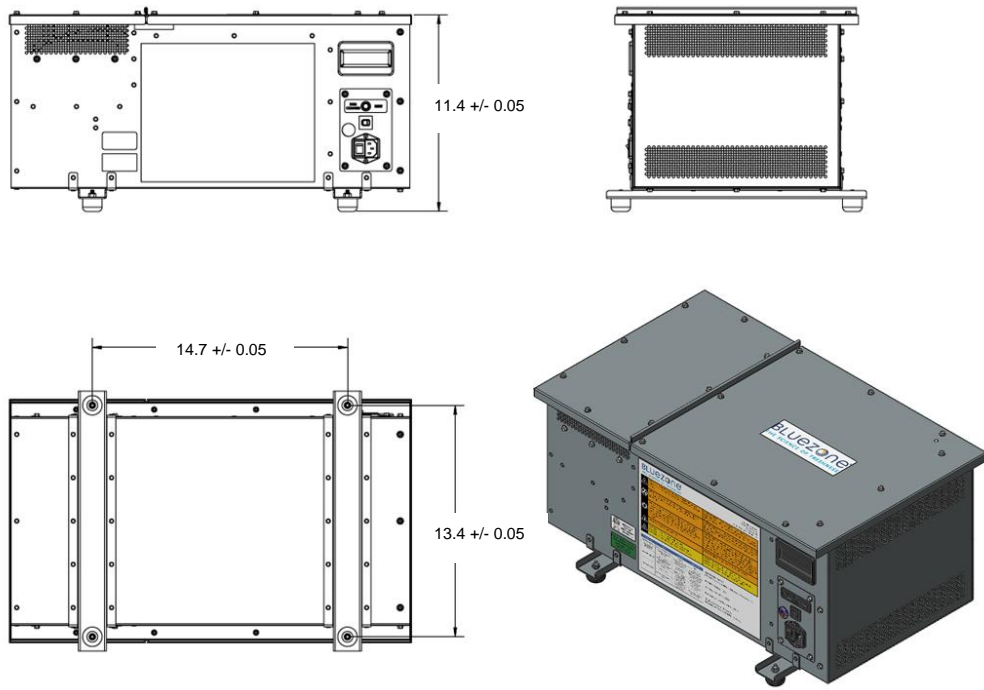


Figure 4: Bluezone Model 300 Mount Dimensions (units in inches)

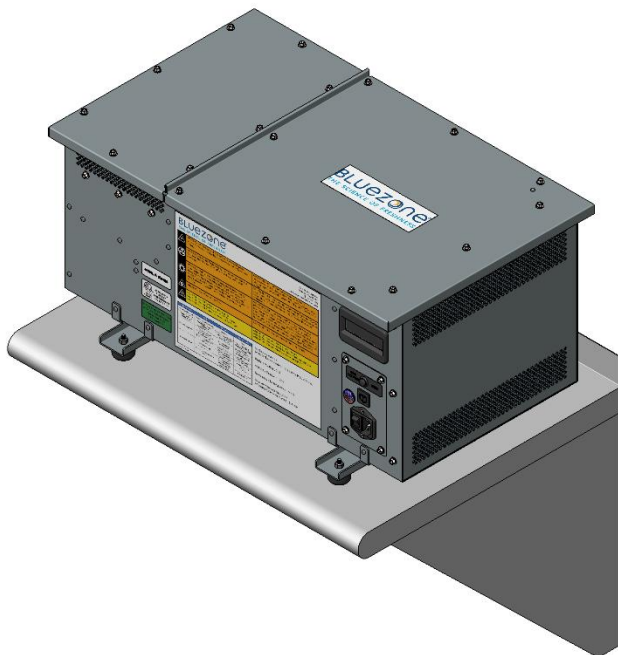


Figure 5: Illustration of the Shelf Mount

Electrical Installation

The Bluezone unit is equipped with a power entry module.

Model 300-043 may be connected to either 120V or 240V AC 50/60Hz input. The unit is cETLus listed at 120 VAC.

Model 300-051 must be connected only to 120V 60Hz input.

The Model 300 is shipped standard with a 6' (2m) power cord.

Plug the power cord into the power entry module. Once the Model 300 is positioned mechanically in the space, plug the cord into the nearest electrical outlet rated to the voltage on the unit's model/serial number plate.



Warning Secure the cord.

The power cord is attached to the front of the unit and may be caught and pulled during activities in the space. Secure the power cord to the shelving, wall or other stable surface.

Electrical Requirements

Input Voltage: 120VAC

Input Frequency: 60Hz

Input Current: 1A max @ 120VAC

Input Power: 110W

Operation

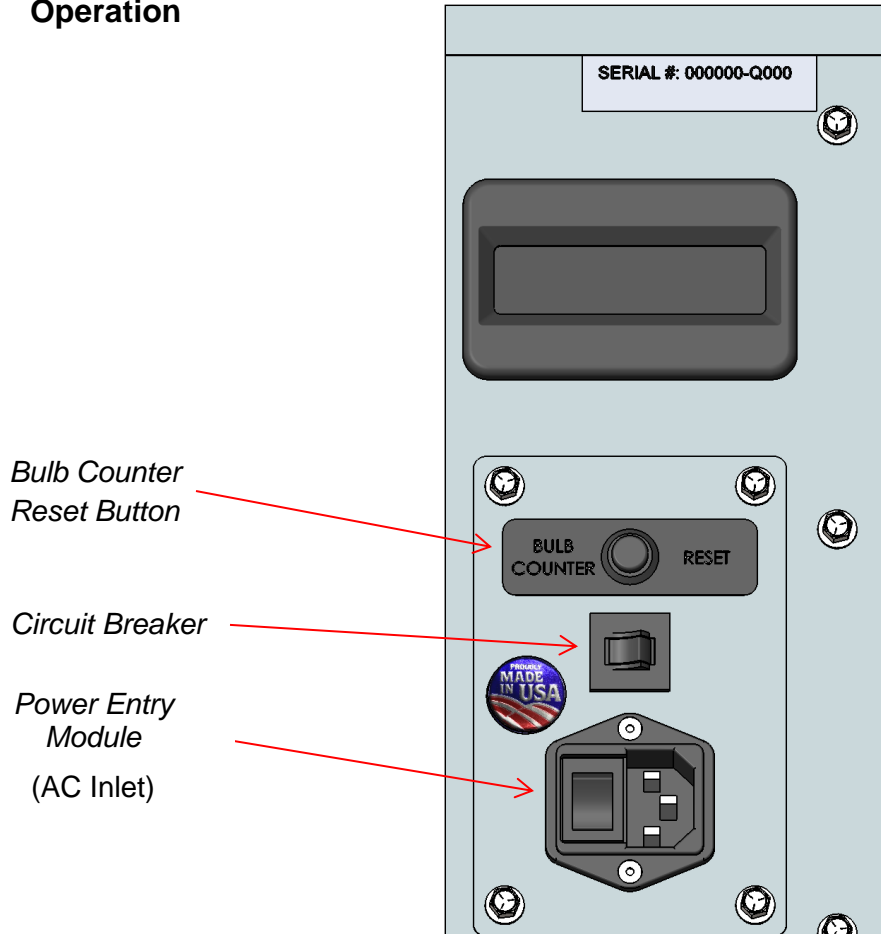


Figure 6: Control Panel on Bluezone Unit

Once the Model 300 is mounted and wired, it can be turned 'On' using the power switch on the control panel.

Toggle the power switch to the "On" position to energize the unit.

Normal Operation

Once the Bluezone is switched "On", the Display Screen will indicate "Bluezone" on a green background on the top line.

The bottom line of the display screen will confirm bulb operation, a bulb life counter, the temperature, humidity and fan speed.



Figure 7: Display Sequence in Time

Fault Conditions and Fault Codes

If there are issues with the operation of the Model 300, the onboard diagnostics will indicate the nature of the problem.

Display Screen codes are shown in Table 2.

Table 2: Display Screen Status Indicator Fault Codes

Display Color	Display Text	Fault	Operation	Action to Take
Green Background	Bluezone Unit conditions scrolling	System operating properly.	Operates	None
Flashing Green Background	Bluezone Unit conditions scrolling	Freezing temperatures detected, or Humidity above threshold	Unit is off and will power up when temperature increases to >0C or humidity drops below 85%	Do not run unit in a freezing environment or humid environment.
Yellow Background	Contact Bluezone	Fan not rotating, or Humidity sensor failure, or Bulb counter failure	Unit automatically powered down.	Check fan for any visible obstructions. Contact Bluezone Products for service.
	Replace Bulbs, Unit conditions scrolling	Bulb life >7,200 hours of operation.	Operates until 8,800 hours of operation.	Check bulb counter Order new bulbs
Red Background	Contact Bluezone	Ozone sensor trip	Unit automatically powered down until sensor resets.	Contact Bluezone Products
	Replace Bulbs	Bulb life at 8,800 operation hours.	Unit automatically powered down until bulbs replaced and counter reset.	Replace bulbs and reset bulb life counter.

Troubleshooting

If the Display Screen has no light or text then the Model 300 is not being powered. Check the following list for possible causes and solutions:

- 1) Make sure the cover is on and the Cover Switch is Activated.
 - a) Controls will not energize if the cover is off or if the cover switch is not engaged. Make sure the cover switch tab engages inside the cover switch opening.
 - b) See Figure for proper installation of the cover switch.
- 2) Check that unit is powered.
 - a) Power “Off” unit by pressing the power switch located on the control panel.
 - b) Ensure unit is plugged into a powered outlet.
 - c) Power unit back “On.”
- 3) Restart the unit.
 - a) Power “Off” unit by pressing the power switch located on the control panel.
 - b) Wait 5 seconds.
 - c) Turn unit “On.”
- 4) Check whether the unit’s circuit breaker has tripped.
 - a) Visually check the circuit breaker located on the control panel. If a white strip is visible, then the breaker needs to be reset.
 - b) Power “Off” unit using the power switch located on the control panel.
 - c) Reset circuit breaker located on the control panel by pushing the visible indicator back into the circuit breaker.
 - d) Turn unit “On” using the power switch located on the control panel.



Danger

DO NOT activate the cover switch without the cover on. UV light will be emitted.

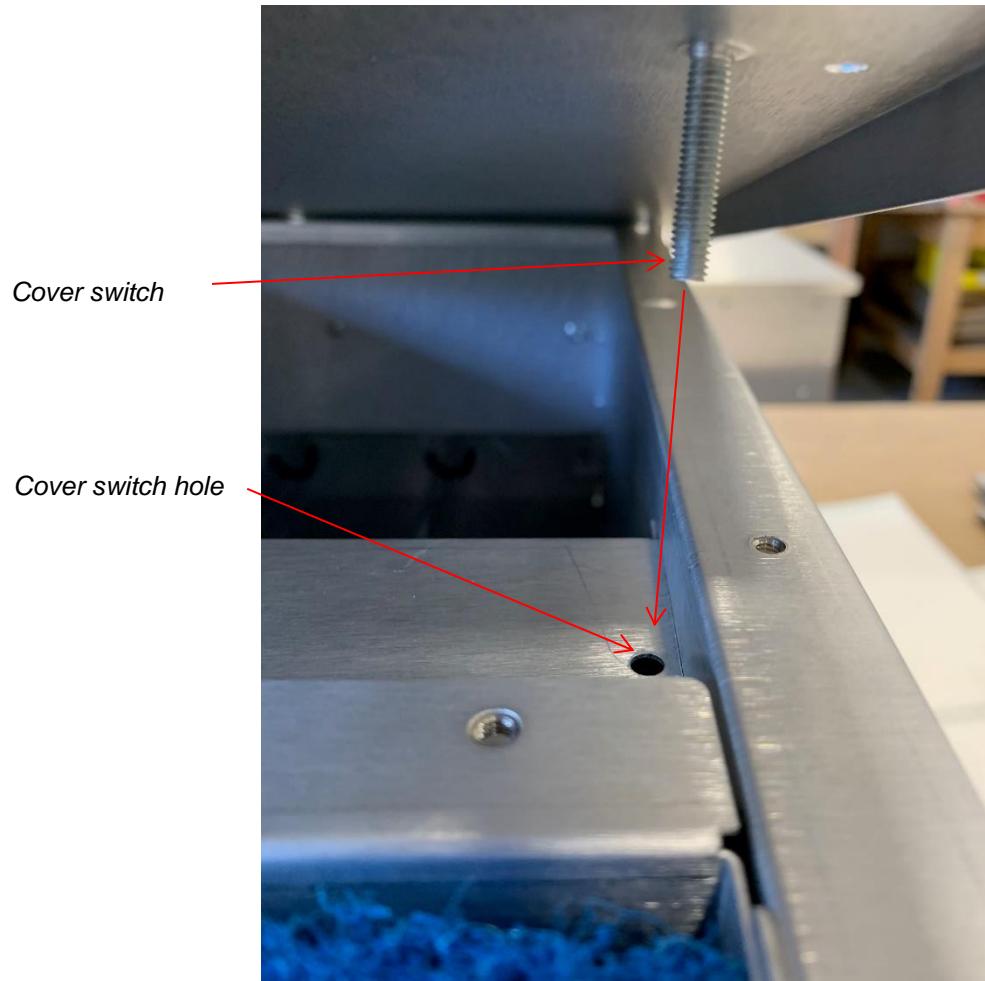


Figure 8: Bluezone Cover Switch and Cover Switch Hole

New Equipment Warranty

Online warranty registration form must be completed to validate your New Equipment Warranty. Please visit www.BluezoneFresh.com to complete the online warranty registration.

Bluezone Products, Inc. warrants that new equipment manufactured in Bluezone's facilities are free of defects due to poor materials or workmanship for a period of 1 year from the date of purchase.

Bluezone Products, Inc. warrants that the equipment will function properly, to our specifications and will be repaired, if necessary, at no charge for a period of 1 year (See our warranty policy for details).

All Bluezone products have been tested by independent labs and in many facilities, proving the performance as described in our literature. Our air purification equipment is a powerful tool to help purify your environment yet, we cannot guaranty that under your operating conditions and procedures, the results will be the same as experienced by other users.

If you are not satisfied with the purchase or the operation of our equipment, it can be returned if the equipment was un-used and was returned within 14 days. The customer will be charged return freight and an additional 15% of the purchase price as a restocking fee.

Bulb Disposal

Bulbs contain a small amount of mercury

Bulb handling should be similar to that used for fluorescent or compact fluorescent bulbs.

Bluezone Products, Inc. recommends that you take advantage of available local recycling options for CFLs. Lists of recycling facilities are available at: www.earth911.org.

Dispose of according to local, state or federal laws.

Service

BULBS NEED TO BE REPLACED AFTER 8,800 HOURS OF USE. BULB KITS MUST BE PURCHASED DIRECTLY FROM BLUEZONE PRODUCTS OR AN AUTHORIZED PARTNER AS THEY ARE PROPRIETARY BULBS.

Bulbs must be replaced at 8,800 hours of operation. The display screen reads bulb hours of operation remaining. At 1,600 hours remaining the display screen will turn yellow and read "Replace Bulbs." The bulbs should be ordered and replaced immediately. At 0 hours remaining, the display screen will turn red and the unit will automatically be powered OFF until bulbs are replaced.

After bulbs are replaced, the bulb counter needs to be reset. To reset the bulb counter please follow the steps below.

- 1) Press and hold the bulb counter reset button for 3 seconds. The display screen will read "Hold: reset counter" during the 3 second hold.
- 2) After holding for 3 seconds, the display screen will read "push to confirm." Release button and push to confirm reset.

A bulb replacement kit and instructions can be ordered from Evo America. The Lamp Replacement Kit for the Bluezone Model 300 is: 005-000003.

Please call 503-626-1802 or email sales@evoamerica.com for ordering information.

IMPORTANT: Each bulb kit satisfies replacement parts for 1 unit. The four bulbs in each replacement kit cannot be replaced with bulbs purchased from anywhere, but Bluezone Products or an Authorized Partner. Installation of the incorrect bulbs results in a voided warranty. Purchase of bulbs from an outside vendor results in a voided warranty. Bluezone will not operate correctly with bulbs purchased from outside vendors.



Service Kit includes:

- (2) U-shaped bulbs
- (2) Nitrile gloves
- Extra cover screws

Additional tools needed:

- ¼" hex nut driver

Instructions for Bulb Replacement:

- 1) Toggle the power switch located on the unit's control panel to OFF.
- 2)  Wait 15 minutes for the ozone to clear from the Bluezone reaction zone.
- 3)  **WARNING:** Before proceeding to next step, unplug the unit from it's power supply.
Use the ¼" hex nut driver to unscrew the 10 screws on the top cover, see Figure 9 below.
- 4) Slowly, remove the cover and place it on a flat surface.
- 5) Use the gloves provided to remove and replace the bulbs. This will prevent oil on your hand from damaging the new bulbs.
Unscrew the ¼" screws on Bulb Support Wire. See Figure 10 below.
- 6) Unscrew ¼" screws on Bulb Support Clips. See Figure 11 below.
- 7) Remove the old bulbs. Carefully Pull at Ceramic Base to Remove Bulbs. See Figure 12 below. Put the bulbs to the side for disposal.

- 8) Hold replacement bulbs by the ceramic end and push the pins into the slots in the receptacle.
⇒ They need to be pushed in until a "click" is heard and felt.
- 9) Put Bulb Clips over new bulbs and use screws to tighten Bulb Clips in place.
- 10) Thread Bulb Support Wire through bulbs and use screws to tighten Bulb Support Wires in place. See Figures 13 and 14 below.
- 11) Tighten cover back onto the unit.
- 12) Dispose of used bulbs, according to standard practice for florescent bulbs.



IMPORTANT

- 13) Press and hold the bulb counter reset button for 3 seconds. The display screen will read "Hold: reset counter" during the 3 second hold. See Figure 15.
- 14) After holding for 3 seconds, release and press the bulb counter reset button again to finalize reset. The display screen will read "push to confirm" after the 5 second hold.

Estimated total bulb replacement time:
approximately 20 minutes per unit.

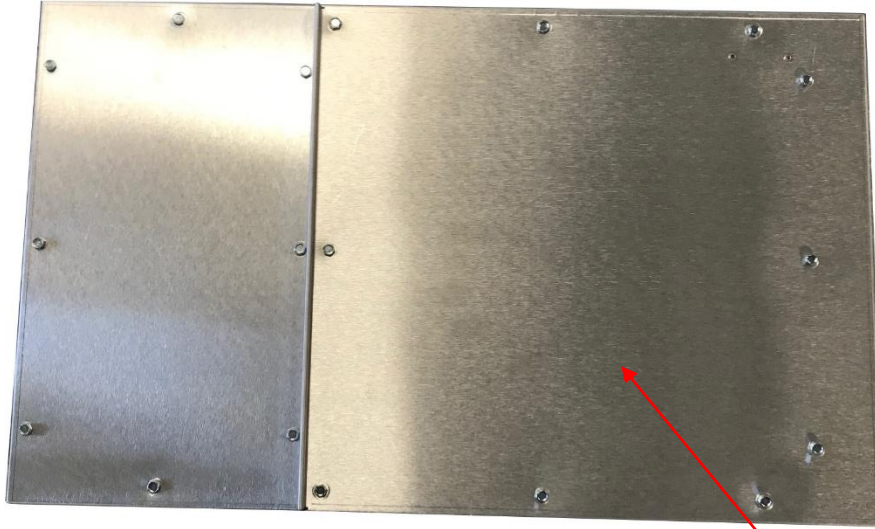


Figure 9: Remove 10 Screws on Bluezone M300 Top Cover

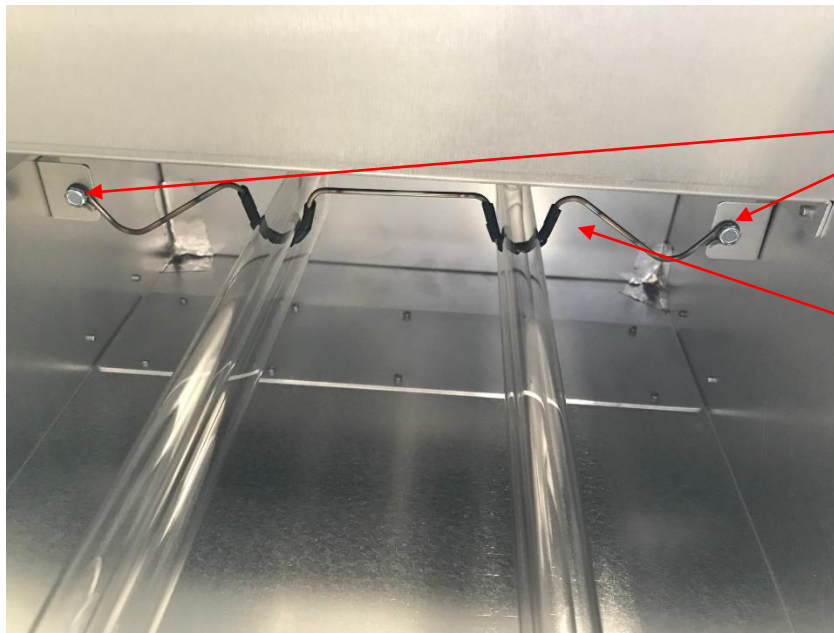


Figure 10: Remove 1/4" Screws Holding Bulb Support Wire

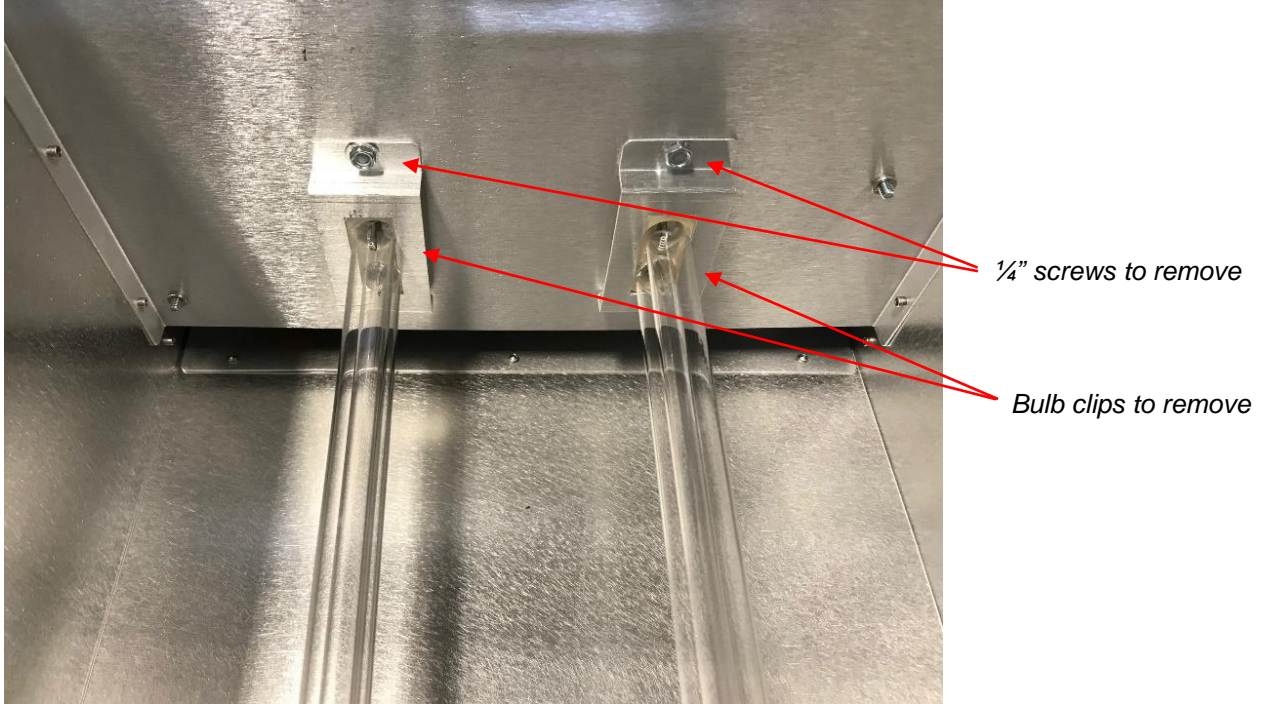


Figure 11: Remove 1/4" Screws on Bulb Support Clips



Figure 12: Carefully Pull at Ceramic Base to Remove Bulbs



Figure 13: Install New Bulbs, Bulb Support Clips and Bulb Support Wire

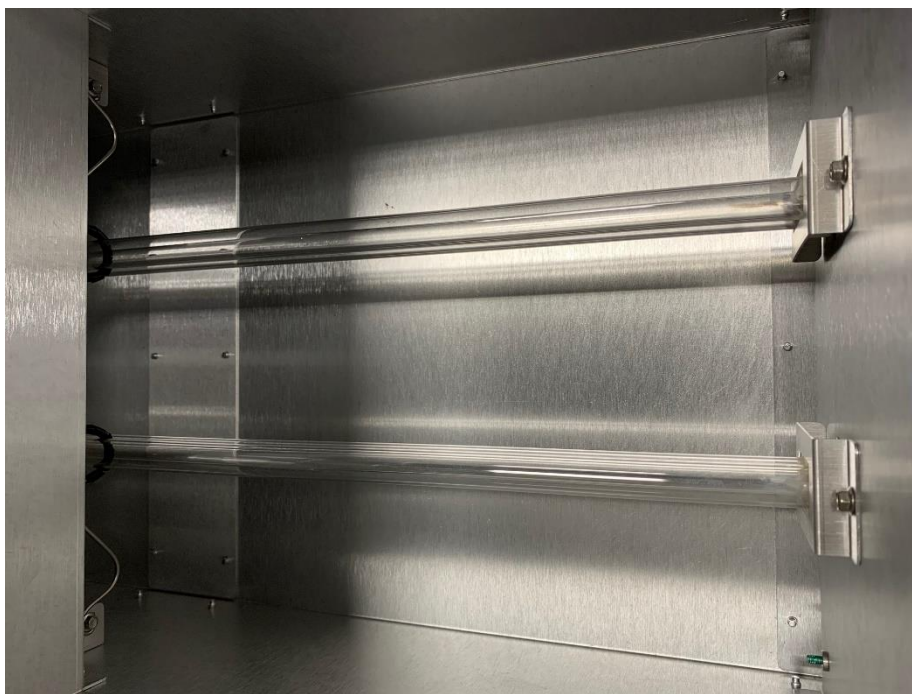


Figure 14: Completed Bulb Assembly

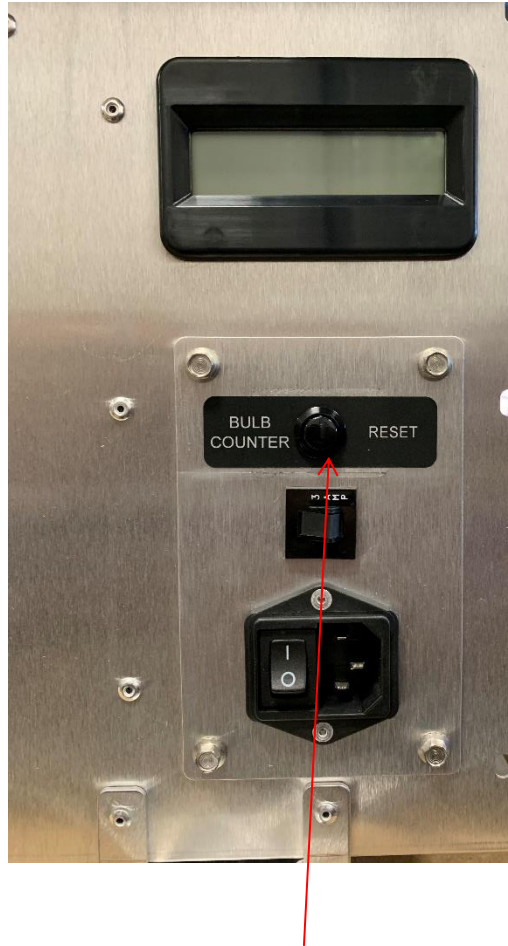


Figure 15: Reset Bulb Life with Bulb Counter Reset Button

Appendix A:

Bluezone Shelf Mount Installation

Shelf Mount

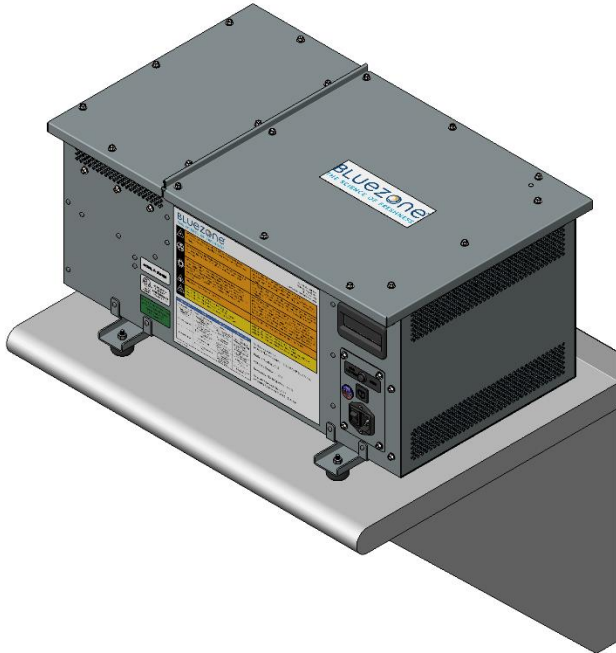


Figure 16: Drawing of Shelf Mount

Materials

Included in kit:

- Wall mount shelf
- Mounting brackets
- Installation screws and anchors

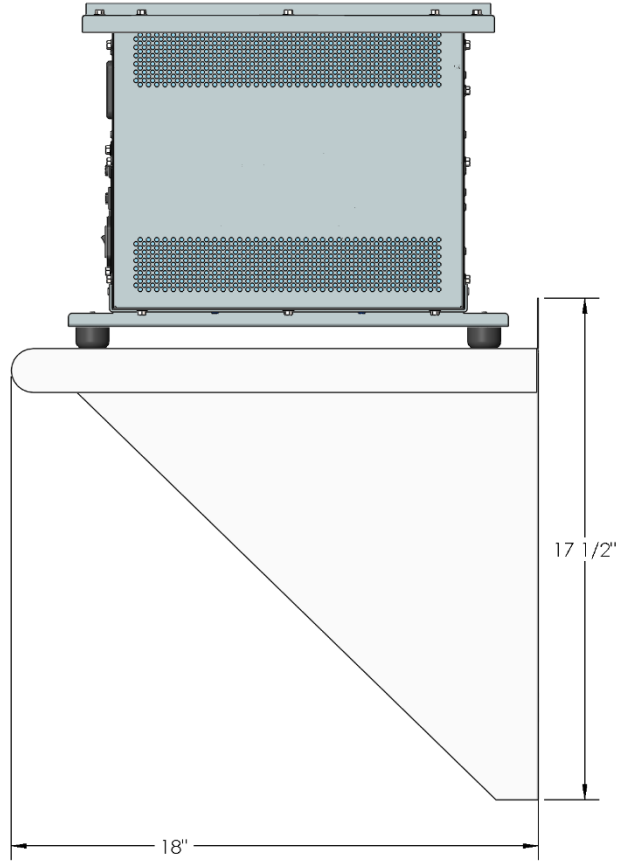
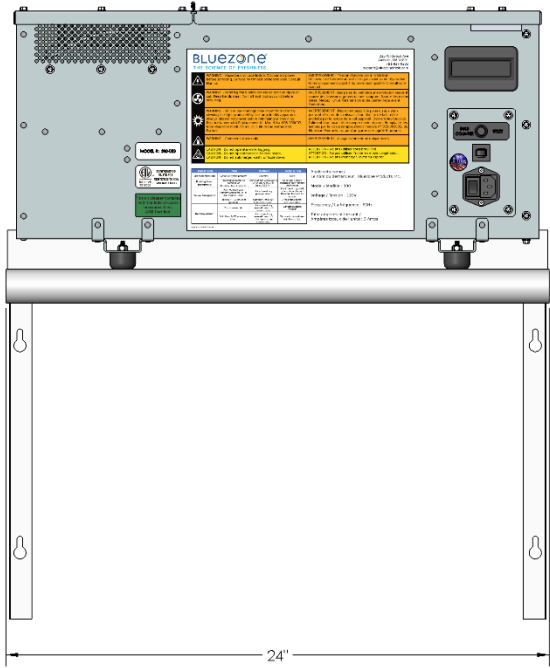


Figure 17: Shelf Mount Dimensions

Technical Support is provided by:

Evo America, LLC
A Middleby Company
Our Ventless and Air Purification Experts

20360 SW Avery Court
Tualatin, OR 97062
USA

503-626-1802
866-626-1802 Toll-Free
support@evoamerica.com

